

1083- BLOCK GRAB



Specifically designed and developed for the UK market to lift palletized brickloads (Note: bricks must be securely bound).

Suitable for handling all types of concrete products such as slabs, steel-strapped bricks, blocks kerb stones and paving blocks. palletized bound loads.

Lined with hard rubber pads to minimise damage to load.

Item Code	SWL	Internal Height	Jaw Width	Weight
1083.80	1800Kg	800mm	740-1250mm	200Kg
1083.100	1600Kg	1000mm	610-1250mm	215Kg

NOTES

The following instructions must be read and understood by each intended user of this equipment; if there is anything you do not understand contact Eichinger Equipment Ltd.

Ensure the equipment is adequate for the job you need to carry out.

You must not operate this equipment if you are under the influence of alcohol, drugs or if you are feeling unwell.

A risk assessment should be carried out prior to moving or using this equipment.

The following PPE (Personal protective equipment) should be worn when using this equipment:

Gloves / Goggles / Hard Hat / Steel Toecap boots / Hi-Vis Vest

We also suggest suitable clothing should be worn.

Familiarise yourself with the equipment, its use and how it works!

As this equipment is used at multi-level, ensure the intended area for use is clear of overhead cables and power lines or similar hazards which may affect its safe use. This equipment must always be used in conjunction with your site safety policies.

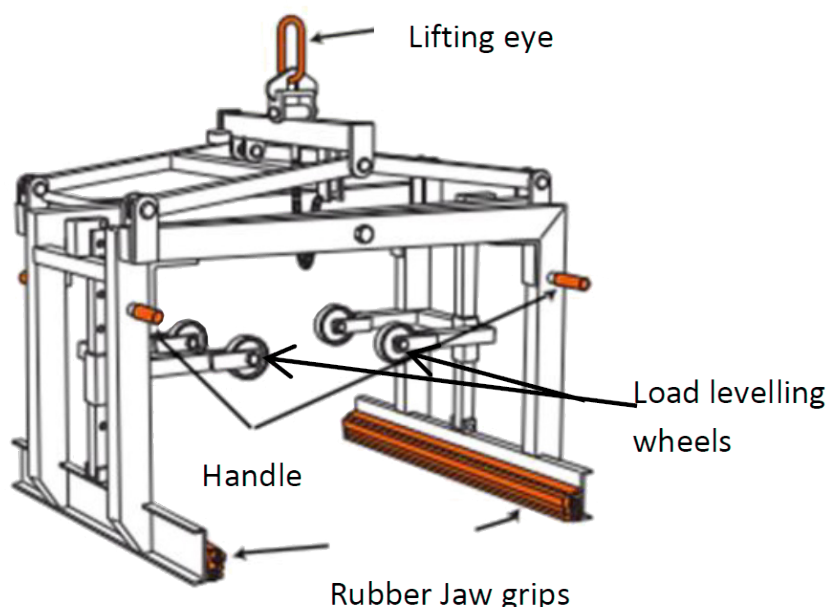
The work area must be clear of obstructions with adequate space for the operative to work safely around the equipment. Check and ensure the equipment is inspected and in a safe condition prior to its use. Also ensure that its load is stable and secure.

SETUP

Attach the lifting hook onto the lifting eye of the 1083-80 full pallet block grab ensuring the hooks gate is properly closed and secure.

Position the load levelling wheels so that they are set at the same height from the rubber jaw grips as the height of the intended item to be carried.

Ensure the load levelling wheels are set to the same height each side! The grab is now ready for use.



WARNING!

Do not use this equipment for dragging loads; it should be used for lifting loads clear of the ground only. Always ensure that the forks are set to the correct width for each load lifted.

REMEMBER:

To avoid the risk of injury keep hands and feet clear of the unit at all times during use. Only use safety handles to manoeuvre the unit during use and only when it is safe to do so. At no time should anyone either trained personnel or otherwise be allowed under the raised load or near enough to be at risk in the event that the load moves.



USING THE EQUIPMENT

The user of this equipment must assess the load to be lifted prior to using the 1083-80 full pallet block grab. Ensuring that the load is securely banded or strapped to the pallet.

In its open position raise the grab and lower it over the item you intend to lift. Once in a central position (allowing both rubber jaw grips to travel down the outside of the item) lower the grab over the load until the locking catch mechanism activates.

You can now raise the unit slowly in turn lifting the item off the ground.

With the load just off the ground assess for balance and security of the load.

Once the load is deemed safe place the safety net under the 1083-80 and its load and fit it securely to the net hooks.

Once satisfied that the load is safe proceed to transfer the loaded unit to its intended position in a slow and controlled manner avoiding sudden movements. Once in position to be unloaded lower the 1083-80 until just off the ground.

Remove the safety net and land the load, the catch will release and allow you to lift the 1083-80 clear of the load.

Once the unit is finished with, lower it to the ground where it will be stored. Release the lifting hook from the Lifting eye and clean the unit down ready for its next use



THE 1083 SHOULD NEVER BE USED WITHOUT A RESTRAINT NET & THE NET MUST ALWAYS BE PULLED TIGHT AROUND THE LOAD. THE NET SHOULD NOT BE USED FOR ANY OTHER APPLICATION.

THE NET IS NOT DESIGNED TO CATCH A FALLING LOAD.



WEAR SAFETY
HELMET



WEAR EYE
PROTECTION



WEAR
HI-VISIBILITY
CLOTHING



WEAR
PROTECTIVE
GLOVES



WEAR
PROTECTIVE
FOOTWEAR